



www

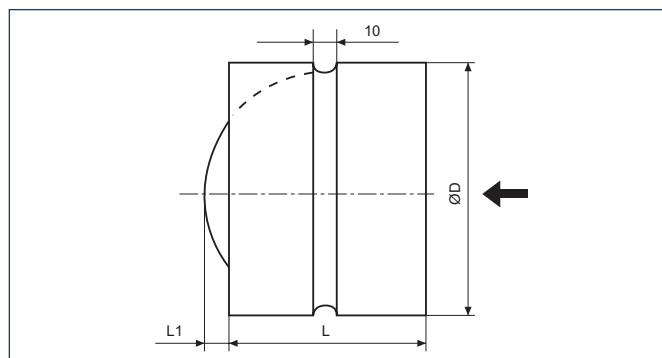
APPLICATION

The backdraft shutter is designed for installation in circular ventilation ducts to prevent air flowing in the wrong direction when the fan is not in operation.

CONSTRUCTION

The housing is made of galvanized sheet steel and the throttle wings are made of aluminium sheet. The wings work like a "butterfly" and are closed by a spring so that the backdraft shutter can be mounted in any position.

DIMENSIONS [mm]



Type	ØD	L1	L	article number
CAR-PL 100	99	5	90	40521010-01
CAR-PL 125	124	18	90	40521020-01
CAR-PL 150	149	30	90	40521029-01
CAR-PL 160	159	35	90	40521030-01
CAR-PL 200	199	55	90	40521040-01
CAR-PL 250	249	62,5	125	40521050-01
CAR-PL 315	314	95,5	125	40521060-01
CAR-PL 355	354	115	125	40521065-01
CAR-PL 400	399	137,5	125	40521070-01

PRESSURE LOSS CHARACTERISTICS

