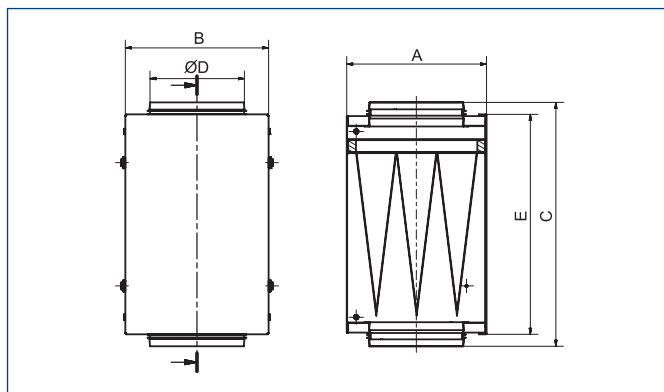




CLASS OF FILTER CARTRIDGE

Type	EU3	EU5	EU7
DF-K 100 ...DF-K 250	40520800	40520805	40520810
DF-K 315 ...DF-K 450	40520830	40520835	40520840
DF-K 500 ...DF-K 560	40520845	40520850	40520855

DIMENSIONS [mm]



Type	A	B	C	D	E	article number
DF-K 100	291	298	497	100	457	40521710
DF-K 125	291	298	497	125	457	40521715
DF-K 160	291	298	497	160	457	40521720
DF-K 200	291	298	507	200	457	40521725
DF-K 250	291	298	527	250	457	40521730
DF-K 315	494	602	677	315	607	40521735
DF-K 355	494	602	677	355	607	40521740
DF-K 400	494	602	713	400	607	40521745
DF-K 450	494	602	617	450	607	40521750
DF-K 500	596	602	677	500	607	40521755
DF-K 560	604	600	960	560	800	40521760

APPLICATION

The complete filter is used to filter the air supply. Separation of larger particles of pollutants contained in the air prolongs the service life of devices placed behind the filter - fans, heaters, etc.

CONSTRUCTION

Filter set designed for installation in circular ventilation ducts of standard diameters (100-560 mm). Housing is made of galvanized sheet steel, mounting rings with rubber seals. Pocket EU3, EU5, EU7 filter cartridge should be ordered separately. On request, the device can be supplied in any color from the RAL palette. The filter cartridge should be replaced when the air flow resistance exceeds 250 Pa.

PRESSURE DROP CHARACTERISTICS OF FILTER CARTRIDGES

