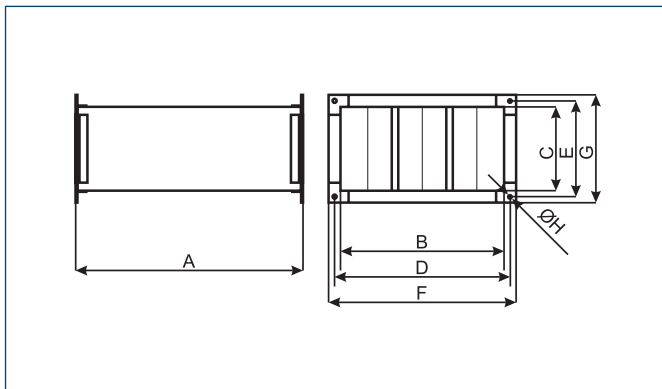




CLASS OF FILTER CARTRIDGES

Type	EU3	EU5	EU7
DFR-30/15	40520913	40520915	40520917
DFR-40/20	40520923	40520925	40520927
DFR-50/25	40520933	40520935	40520937
DFR-50/30	40520943	40520945	40520947
DFR-60/30	40520953	40520955	40520957
DFR-60/35	40520963	40520965	40520967
DFR-70/40	40520973	40520975	40520977
DFR-80/50	40520983	40520985	40520987
DFR-100/50	40520993	40520995	40520997

DIMENSIONS [mm]



Type	A	B	C	D	E	F	G	ØH	article number
DFR-30/15	600	300	148	320	170	340	190	9	40520910
DFR-40/20	600	400	198	420	220	440	240	9	40520920
DFR-50/25	600	500	248	520	270	540	290	9	40520930
DFR-50/30	600	500	298	520	320	540	340	9	40520940
DFR-60/30	600	600	298	620	320	640	340	9	40520950
DFR-60/35	600	600	348	620	370	640	390	9	40520960
DFR-70/40	600	700	398	720	420	740	440	9	40520970
DFR-80/50	600	800	498	820	520	840	540	9	40520980
DFR-100/50	600	1000	498	1020	520	1040	540	9	40520990

APPLICATION

The complete filter is used to filter the air supply. Separation of larger particles of pollutants contained in the air prolongs the service life of devices placed behind the filter - fans, heaters, etc.

CONSTRUCTION

Filter set designed for installation in rectangular duct ventilation. Housing is made of galvanized sheet steel and mounting rings with rubber seals. Packet EU3, EU5, EU7 filter cartridge should be ordered separately. On request, the device can be supplied in any color from the RAL palette. The filter cartridge should be replaced when the air flow resistance exceeds 250Pa.

PRESSURE DROP CHARACTERISTICS OF FILTER CARTRIDGES

